

# Impact-R 2100



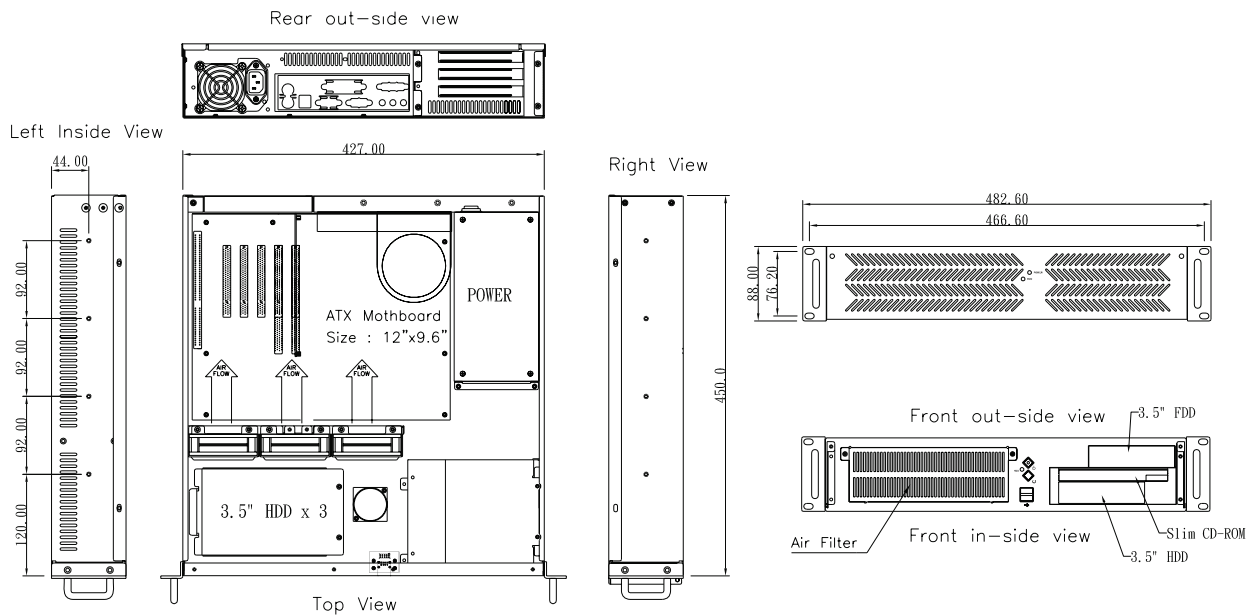
## Features

The Impact-R 2100 series computers are powered by Intel® based commercial motherboards, delivering a compact and flexible computer platform.

- Intel® Comet Lake CPU architecture
- DDR4 Memory up to 128GB
- Supports 3 native displays simultaneously

Our production processes are controlled under ISO 9001 and every system undergoes a full diagnostic burn-in prior to shipment.

## Dimensions



## Impact-R 2100

## Specifications

The information is believed to be accurate. However Amplicon Liveline Limited accepts no responsibility for any problems caused by errors and omissions. Specifications are subject to change without notice.

Hardware Specification	CPU: Intel® LGA1200 10th Generation Core™ i9/i7/i5/i3 and Xeon Chipset: Intel® W480E Memory: 4 x DIMM - max 128GB DDR4 2933MHz non-ECCLAN: Intel® I211AT/I219LM GbE	System Architecture	Intel® Based Industrial motherboard
BIOS	Insyde	Supported O/S	Windows 10/Linux
Display	1 x VGA, resolution up to 1920x1200 @ 60Hz 1 x DP++, resolution up to 4096x2160 @ 60Hz 1 x HDMI 1.4b, resolution up to 4096x2160 @ 24Hz	Mechanical	Design: EIA RS-310C 19" Rackmount Standard Construction: Heavy Duty Cold Rolled Electroplated Steel Colour: Black (custom colours available for large orders) Dimensions: 483(W) x 88(H) x 450(D)mm (19.0" x 3.5" x 17.7") Package Size: 615(W) x 224(H) x 600(D)mm (24.2" x 8.8" x 23.6") Total drive capacity: 1 x Slim 5.25" external, 1 x 3.5" external, 4 x 3.5" internal or 1 x 5.25" external, 1 x 3.5" external, 3 x 3.5" internal Cooling: 3 x 80mm ball bearing fans (42.5 CFM each) Air filter: removable (washable) Gross Weight: approximately 17 kg
Storage	Total Drive capacity: 4 x 3.5" HDD & 1 x 5.25" bay, or 5 x 3.5" HDD & 1 x Slim DVD RAID: 0, 1, 5, 10 Dual M.2 also available	Environmental operation	Acoustic noise: Approximately 49dB(A) sound pressure at 23°C (typical) Temperature: 5 to 45°C (tested for extended operation up to 50°C) Humidity: 5 to 90% at 25°C non-condensing
System Expansion	2 x PCIe x16 (Gen 3) (1 x16 signal or 2 x8 signal) Low Profile 3 x PCIe x4 (Gen 3) (2 x4 signal and 1 x1 signal) Low Profile 2 x PCI Low Profile 2 x M.2 M key PCIe 3.0 x 4 NVME	Environmental storage	Temperature: -20 to 65°C Humidity: 5 to 90% at 25°C non-condensing
External Interfaces	Front: 2 x USB 2.0/1.1 On/Off Switch, Reset Pwr/HDD LEDs Rear: 2 x GbE (RJ-45) 1 x RS-232/422/485 (RS-232 w/ power) (DB-9) 2 x USB 3.2 Gen2, 2 x USB 3.2 Gen1, 4 x USB 2.0 1 x VGA, 1 x DP++, 1 x HDMI 1 x Line-out, 1 x Mic-in,	Reliability	System MTBF: Critical components failure >45,000 hrs @ 25°C (we can provide information for specific configurations). Full burn-in diagnostic run on every system
		Certifications	CE/UKCA